

LITEDIMMER[™]PLUS DC200 DUO

LITEDIMMER[™]PLUS AC400 DUO

USER GUIDE



LITEGEAR[™]

INDEX

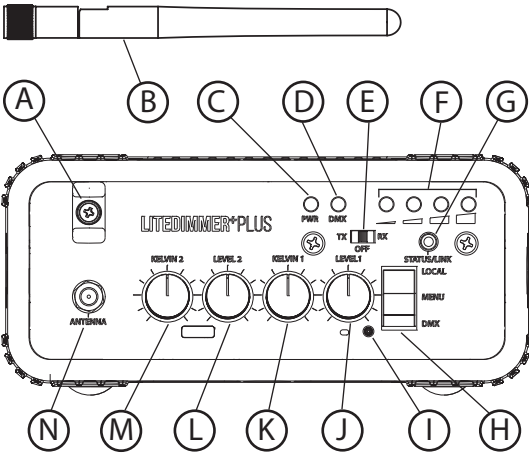
Section	Page
About	1
Controls and Connections	2
Power / Connect	3
Basic Display Navigation.....	4
Factory Reset.....	5
Local Control	6
Local Control - Home Screen	7
Dimmer Settings - Circuit, Dim Curve, Smoothing	8
Hybrid Settings - Trigger, Fade, Master DMX Out	9
DMX Control	10
DMX Control - Home Screen	11
Single 8 & 16 Bit - DMX	12
Double 8 & 16 Bit - DMX.....	13
DMX Addresses	14
Transmitting Wireless, Master DMX Out, DMX Hold vs DMX Drop, Wireless Reset.....	15
Troubleshooting	16
Specifications / Warnings	17

ABOUT

LiteDimmer Plus AC400 Duo and LiteDimmer Plus DC200 Duo are our flagship Plus Series power units. Compatible with all LiteMat Plus, LiteTile Plus, and all Plus compatible "Powered by LiteGear" lighting products. The new Plus Dimmers feature a large OLED display that provides visual feedback and an integrated wireless radio that acts as both a transmitter and a receiver for wireless convenience. The dimmers also come with advanced features such as load smoothing, local cueing controls, double circuit control, and a special Master/Slave function that utilizes the integrated wireless card. The AC400 Duo can operate up to a 400W Plus Fixture or two (2) independent 200W fixtures with the use of an optional adapter. The DC200 Duo can operate up to a 200W Plus Fixture or two (2) independent 100W fixtures with the use of an optional adapter. Both units include 1/4"-20 threaded inserts that make rigging or mounting a simple task. The units also feature K-mount fittings used for attaching battery adapters, mounts, and power supplies.

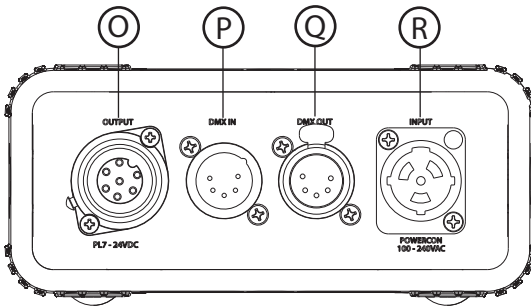
CONTROLS & CONNECTIONS

Control Panel - LiteDimmer Plus AC400/DC200 DUO



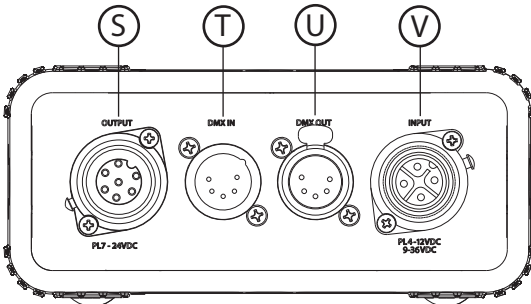
- A** Antenna Storage Clip
- B** Antenna
- C** Wireless Power Indicator
- D** DMX Indicator
- E** TX (Transmit)/OFF/RX (Receive) Switch
- F** Wireless Signal STR Indicator Light
- G** Status/Link Button
- H** Main 3-Position Switch
- I** Mode Indicator Light
- J** LEVEL 1 Knob
- K** KELVIN 1 Knob
- L** LEVEL 2 Knob
- M** KELVIN 2 Knob
- N** Antenna Jack

Connections Panel - LiteDimmer Plus AC400 DUO



- O** DC Output PL7-24VDC
- P** DMX Input 5-PIN XLR
- Q** DMX Output 5-PIN XLR
- R** AC Input POWERCONN 100-240VAC 264VAC MAX

Connections Panel - LiteDimmer Plus DC200 DUO



- S** DC Output PL7-24VDC
- T** DMX Input 5-PIN XLR
- U** DMX Output 5-PIN XLR
- V** DC Input PL4 CONN 9-36VDC

POWER

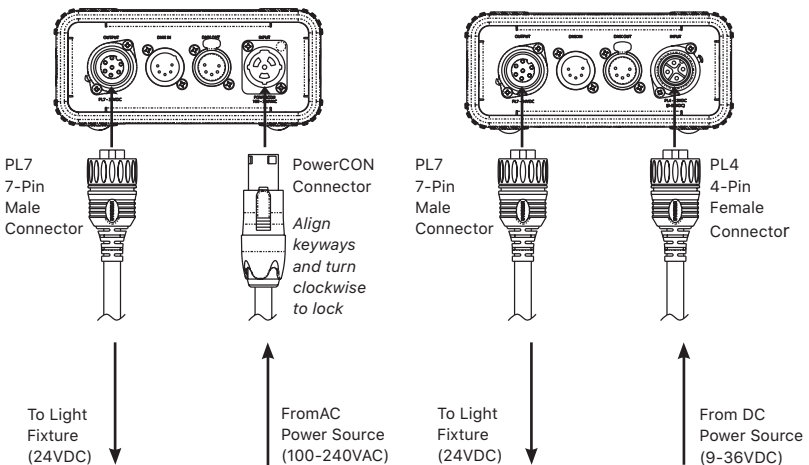
- The LiteDimmer Plus AC400 Duo dimmer requires AC voltage to operate.
 - The input voltage range is from 100VAC to 240VAC.
- The LiteDimmer Plus DC200 Duo dimmer requires DC voltage to operate.
 - The input voltage range is from 9VDC to 36VDC.

LiteDimmer Plus AC400 Duo and LiteDimmer Plus DC200 Duo are compatible with all LiteMat Plus, LiteTile Plus, and all Plus compatible "Powered by LiteGear" lighting products.

CONNECT

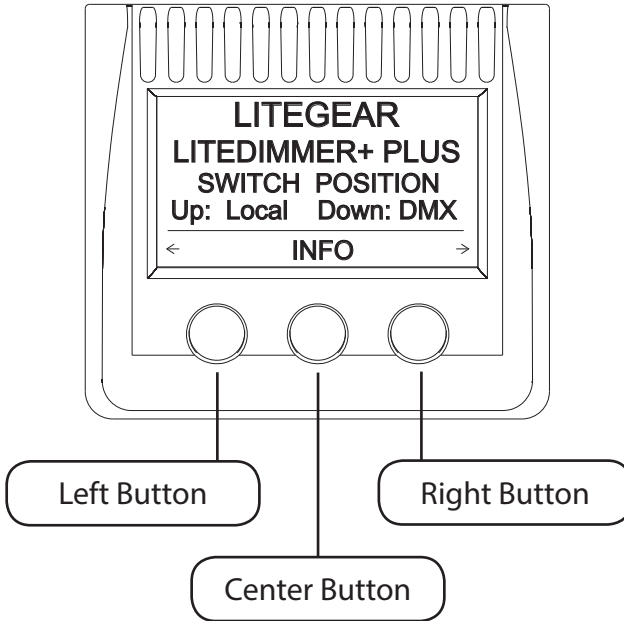
- Connect the Plus compatible fixture to the PL7 output connector.
(Be sure to observe wattage requirements for both the Plus compatible fixture and the LiteDimmer Plus Dimmer ballast).
- For LiteDimmer Plus DC200 Duo provide DC power to the PL4 input connector. *(Battery or Power Supply sold separately).*
- For LiteDimmer Plus AC400 Duo provide AC power to the PowerConn input connector. *(Power cable included).*
- You are now ready to operate your LiteDimmer Plus dimmer.
(For Local Control, DMX Control and Wireless, please see related sections).

LiteDimmer Plus AC400 DUO LiteDimmer Plus DC200 DUO



BASIC DISPLAY NAVIGATION (FOR CHANGING ANY SETTING)

- Set **Main Switch** to desired mode.
- Tap **Left** button or **Right** button to find desired screen.
- Tap **Center** button to scroll through options on each screen .
- Tap **Left** or **Right** button to edit setting within chosen mode/setting.
- Tap **Center** button to scroll through remaining options, and select **“Done”**, locking in chosen changes.



FACTORY RESET

To perform a factory reset, follow the steps listed below:

1. Set the main 3-position switch to the **MENU** (center position).
2. Push center button under "**INFO**".
3. Push left button under "**RESET**".
4. When screen indicates "**Cycle Power Now**", disconnect the AC or DC power source.
5. When screen goes dark, wait 5 seconds.
6. Reconnect the AC or DC power source to unit.
7. Your dimmer has been reset and returned to factory default settings.

*Unless the Dimmer has been Factory Reset, the device will return to the previously selected settings. In **LOCAL MODE**, Light Intensity and Light Color are controlled via the **LEVEL** and **KELVIN** knobs respectively.*

LOCAL CONTROL (MAIN SWITCH UP)

Local Control allows control through the **KELVIN** knobs, **LEVEL** knobs, and display navigation buttons on the Dimmer.

NOTE: When the Dimmer is set to Local Control, the DMX settings are not enabled, with the exception of "Master DMX Out".

Setting Local Control (Up Position):

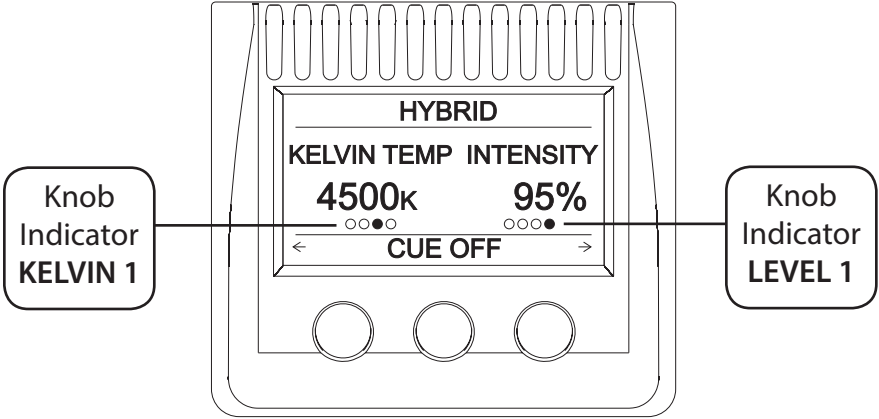
1. Provide Power to Dimmer.
2. Set main 3-position switch up to the **LOCAL** position (up position).
3. Home screen should now display Kelvin Temp and Intensity.

Default settings in Local Control:

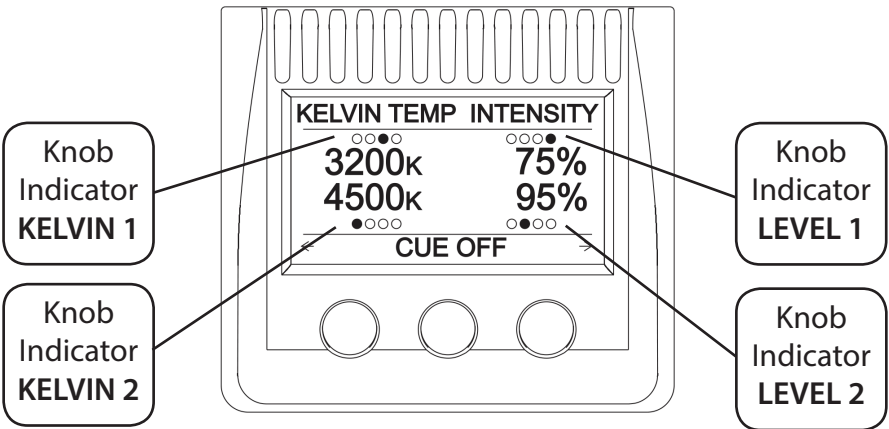
- Circuit: **SINGLE**
- Dim Curve: **STANDARD**
- Smoothing: **ON**
- Trigger: **CUE**
- Fade Speed: **24FRMS**
- Master DMX Out: **OFF**

LOCAL CONTROL - HOME SCREEN

Single Circuit



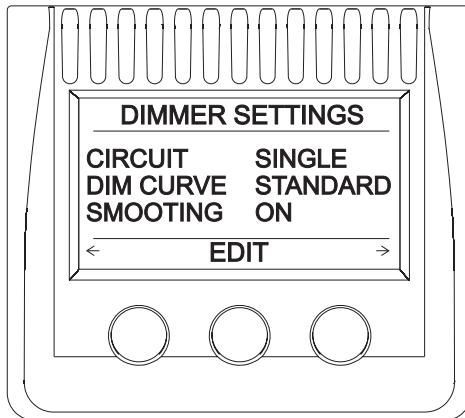
Double Circuit



DIMMER SETTINGS

LOCAL MODE DISPLAY SCREEN

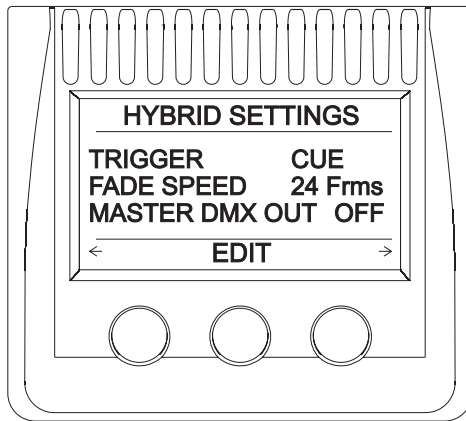
Profile	Setting	Description
Circuit	Single	<ul style="list-style-type: none"> • LEVEL 1 and KELVIN 1 knobs are active. • TRIGGER button is active.
	Double	<ul style="list-style-type: none"> • LEVEL 1, LEVEL 2, KELVIN 1, AND KELVIN 2 knobs are active. • TRIGGER button is active. <p><i>(Allows for control of 2 separate Plus compatible light fixtures with use of a break-out splitter)</i></p>
Dim Curve	Standard	<ul style="list-style-type: none"> • Standard is the only option. <p><i>(The light output is dimmed linearly relative to selected intensity)</i></p>
Smoothing	On	<ul style="list-style-type: none"> • For general use.
	Off	<ul style="list-style-type: none"> • For quick fades, chases, and other fast effects.



HYBRID SETTINGS LOCAL MODE DISPLAY SCREEN

Profile	Setting	Description
Trigger	Cue	• Basic light fixture cueing to fade in or out at a set FADE SPEED.
	Bump	• Mimics functionality of a console bump button.
Fade	Speed	• Range 2 to 72. 2 = fastest fade speed 72 = slowest fade speed
Master DMX Out	On	• Formatted DMX data mirroring the Local Operation is output over DMX channels 1-24, allowing a series of LiteDimmer Plus units to act in a Master Slave configuration.
	Off	• DMX data mirroring is disabled.

See section *Transmitting Wireless, Master DMX Out, DMX Hold VS DMX Drop, Wireless Reset* for instructions on using Master DMX Out function



DMX CONTROL

(MAIN SWITCH DOWN)

DMX Control allows control through a separate DMX console of your choice.

NOTE: Local controls are not functional while main switch is in DMX position.

SETTING DMX CONTROL

To access DMX Control:

1. Provide Power to Dimmer.
2. Set Dimmer to DMX Control by setting the main 3 - position switch down to the **DMX** position (down position).
3. Home screen should now display Kelvin Temp and Intensity.

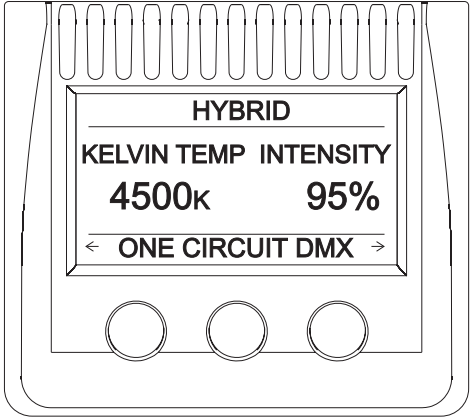
Default settings in DMX Control:

- Circuit: **SINGLE**
- Dim Curve: **STANDARD**
- Smoothing: **ON**
- Bit rate: **8**
- On DMX Loss: **HOLD**
- DMX Address: **001**

DMX CONTROL & DISPLAY SCREENS

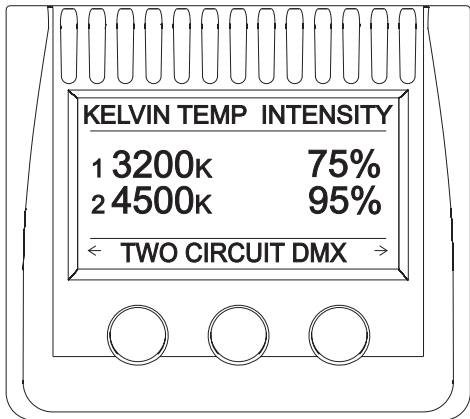
One Circuit DMX Screen

One Circuit DMX allows for the singular control of the Plus compatible fixtures in their entirety.



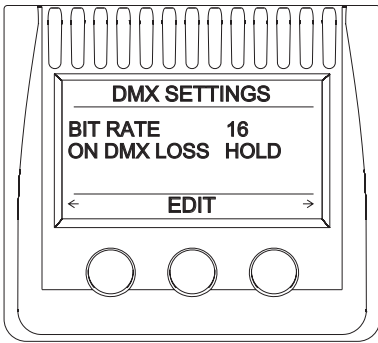
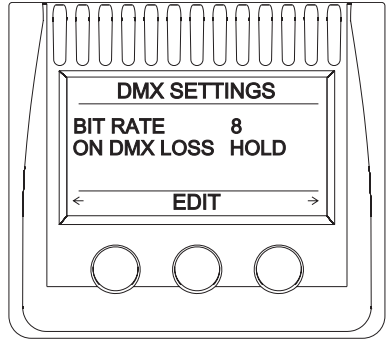
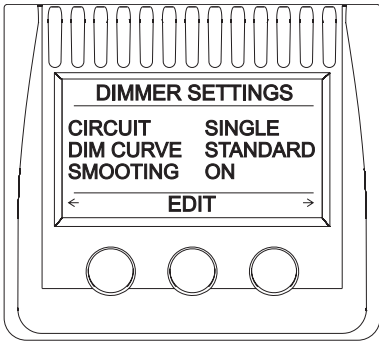
Two Circuit DMX Screen

Two Circuit DMX allows for control of two separate circuits within one or more Plus compatible fixtures.



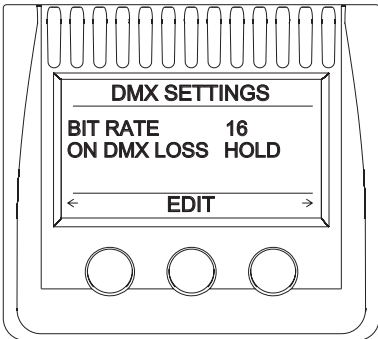
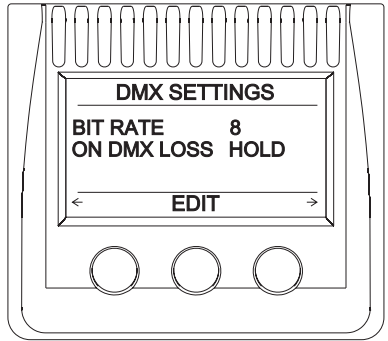
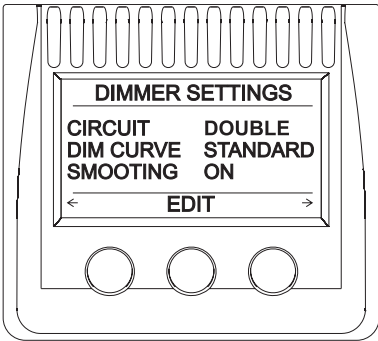
DMX CONTROL - SINGLE 8 & 16 BIT

Circuit	Bit Rate	Start Address	Setting
Single	8 Bit	001	• Intensity
		002	• CCT
Single	16 Bit	001	• Intensity (Course)
		002	• Intensity (Fine)
		003	• CCT (Course)
		004	• CCT (Fine)



DMX MODE - DOUBLE 8 & 16 BIT

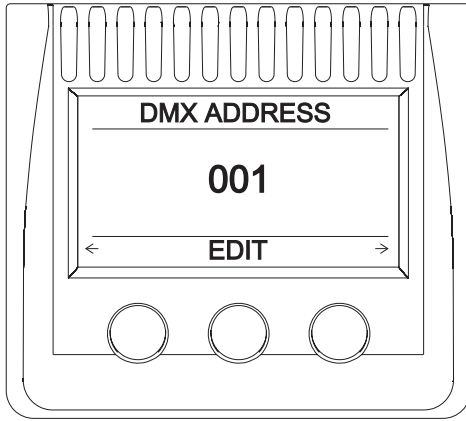
Circuit	Bit Rate	Start Address	Setting
Double	8 Bit	001 (Circuit 1)	• Intensity
		002 (Circuit 1)	• CCT
		003 (Circuit 2)	• Intensity
		004 (Circuit 2)	• CCT
Double	16 Bit	001 (Circuit 1)	• Intensity (Course)
		002 (Circuit 1)	• Intensity (Fine)
		003 (Circuit 1)	• CCT (Course)
		004 (Circuit 1)	• CCT (Fine)
		005 (Circuit 2)	• Intensity (Course)
		006 (Circuit 2)	• Intensity (Fine)
		007 (Circuit 2)	• CCT (Course)
		008 (Circuit 2)	• CCT (Fine)



DMX ADDRESSES

DMX ADDRESS: 001 - 511

NOTE: "DMX Address" provides the ability to set the DMX Start Address. The DMX Start Address for the Dimmer corresponds to a DMX Channel on the Console.



Circuit	Mode	Highest Available Start Address
Single	8 bit	511
	16 bit	509
Double	8 bit	509
	16 bit	505

TRANSMITTING WIRELESS

1. Set main switch to CENTER position.
2. Set wireless switch of Dimmer to TX (transmit) position.
3. Plug in female 5-Pin XLR cable to Dimmer.
4. Set wireless switch of receiving device to RX (receive) position.
5. Tap LINK/STATUS button on Dimmer, indicator light should flash blue.
6. Once blue indicator light has turned solid, connection between Dimmer unit and receiving unit(s) has been established.
7. You can now control receiving unit(s) via DMX control panel independently from, or in conjunction with, the Dimmer unit.

MASTER DMX OUT - LOCAL MODE (DEFAULT - OFF)

Master DMX Out is a Master/Slave function that allows the LiteDimmer Plus AC400 Duo/DC200 Duo to generate its own DMX, and transmit it to receiving Slave units.

1. On Master dimmer, set main switch to Local Control (up position).
2. Navigate to "Hybrid Settings" screen.
3. Turn on "Master DMX Out".
4. Set wireless switch to TX position.
5. On any Slave receiving units, set wireless switch to RX.
6. On Master dimmer, tap Link button so that the link buttons on the Master dimmer and Slave units flash blue.
7. Once flashing Link buttons on both units turn solid blue, Master and Slave units have been linked.
8. To control output of all linked units, turn "Level" and "Kelvin" knobs on master dimmer.

DMX HOLD VS DMX DROP (DEFAULT - HOLD)

This setting dictates what happens to the light output when DMX connection is lost.

Hold: light output will hold its last recorded value before DMX connection is lost. Once DMX connection is live, the ballast will resume responding to live signal.

Drop: light output stops as soon as DMX connection is lost. Once DMX connection is live, ballast will resume responding to live signal.

WIRELESS RESET

1. Push and hold the Status / Link button until blue light turns off.
2. Wireless connection has been reset.

TROUBLESHOOTING

If LiteDimmer Plus AC400 Duo or LiteDimmer Plus DC200 Duo is experiencing irregular operation, a factory reset may be needed. Resetting the operating system can restore normal operation in many cases.

To perform a factory reset, follow the steps listed below:

1. Set the main 3-position switch to the **MENU** (center position).
2. Push center button under "**INFO**".
3. Push left button under "**RESET**".
4. When screen indicates "**Cycle Power Now**", disconnect the AC or DC power source.
5. When screen goes dark, wait 5 seconds.
6. Reconnect the AC or DC power source to unit.
7. Your dimmer has been reset and returned to factory default settings.

*Unless the Dimmer has been Factory Reset, the device will return to the previously selected settings. In **LOCAL MODE**, Light Intensity and Light Color are controlled via the **LEVEL** and **KELVIN** knobs respectively.*

If your LiteDimmer Plus AC400 Duo or LiteDimmer Plus DC200 Duo is still experiencing irregular operation after performing a factory reset, contact LiteGear Technical Support for assistance.

SPECIFICATIONS

LITEDIMMER PLUS DC200 DUO SPECIFICATIONS

Rating200W max.

Input14.4 VDC Nominal (9-36 VDC)

Output..... Constant Voltage, PWM

Size12.1 in. x 6.1 in. x 2.8 in. (309.9mm x 152.4mm x 63.5mm)

Weight4.1 lbs., 1.8 kg.

Input voltage must match load voltage requirements!

LITEDIMMER PLUS AC400 DUO SPECIFICATIONS

Rating400W

Input90 - 240VAC (264VAC MAX)

Output..... Constant Voltage, PWM

Size15.9 in x 6.1 in. x 2.8 in. (406.4mm x 152.4mm x 63.5mm)

Weight4.9 lbs., 2.2 kg.

Input voltage must match load voltage requirements!

WARNINGS

Stage and Studio Use Only; Risk of Electrical Shock; Dry Location Only.
Disconnect Power Before Servicing; Hazardous Voltage; Not for Residential Use;
Must Be Serviced by a Trained Technician

Any Questions? Comments? Concerns? Contact us at +1 (818) 358-8542

Designed and Made in California



LITEGEAR™

Tel: +1 (818) 358-8542
Email: info@litegear.com
Web: www.litegear.com

366-900