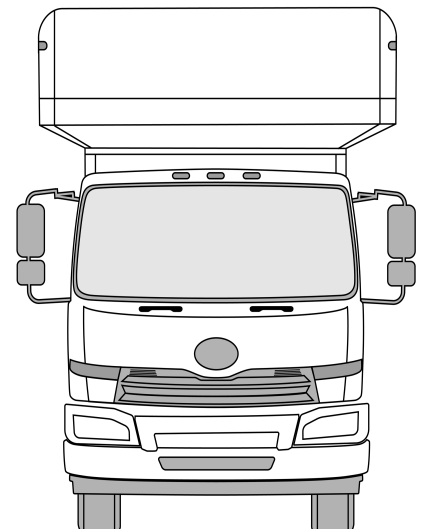
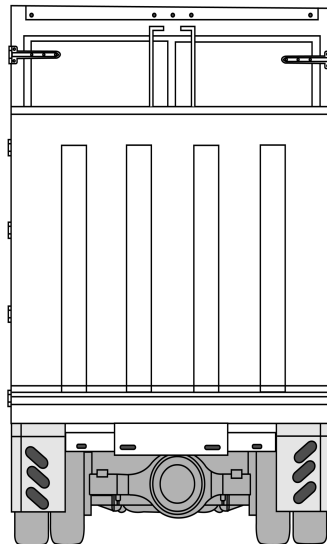
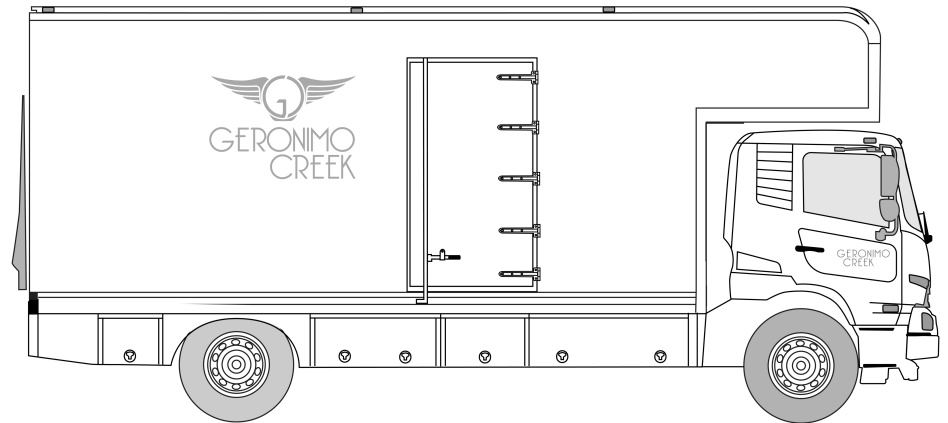


5 TON GRIP PACKAGE:

ORDER #: ()

CLEANLINESS:	OUT	IN
Inside Cab:		
Outside Cab:		
Inside Cargo Box:		
Outside Cargo Box:		
DAMAGE:	OUT	IN
Pass side body		
Drivers side body		
Front end body		
Rear end body		
Tires (side wall damage)		
Roof (holes/dents)		
Bumpers (dents)		
Windshield (cracks/chips)		
Mirrors (both sides)		
Gas cap (missing?)		
Fluid leaks (underbody)?		
MECHANICAL:	OUT	IN
Tire - Front Left (80 PSI)		
Tire - Front Right (80 PSI)		
Tires - Rear Left (80 PSI)		
Tires - Rear Right (80 PSI)		
Lift gate (tilt & lift)		
Lift gate remote		
Interior LED work lights		
Check engine fluids		
LOG:		
Mileage out:		
Mileage in:		
FUEL OUT:		/8
FUEL IN:		/8
DID CLIENT REFUEL?	YES	NO



Draw all preexisting damage on illustrations above.

(Full tank = 80 gal. of *Diesel*.)



<u>CARTS (GRIP):</u>	<u>OUT</u>	<u>IN</u>	<u>NOTES</u>
Senior grip cart	1		
C stand cart	1		
6 crate rigging cart (w/lock bar)	1		
Muscle cart	1		
4x4 flag cart	1		
24" x 36" rolling flag box	1		
18" x 24" rolling flag box	1		

<u>STANDS:</u>	<u>OUT</u>	<u>IN</u>	<u>NOTES</u>
American 40" C-stands w/heads & arms	20		
American 24" C-stands w/heads & arms	4		
American 3-rise hi rollers (2x on door)	6		
American HD 4-rise hi rollers	2		
American mambo combo stands	2		
American grip combo stands (4.5" grip head)	8		
American low combo stands	2		

<u>WOOD PRODUCTS:</u>	<u>OUT</u>	<u>IN</u>	<u>NOTES</u>
Full apple boxes	12		
Half apple boxes	8		
Quarter apple boxes	8		
Pancakes	8		
Cup blocks (set)w/holder	12		
Step blocks (3x tier)	2		
Crate of wedges (full)	1		
Crate of 1x4 cribbing (full)	1		
Crate of 2x4 cribbing (full)	1		

<u>REFLECTORS (FRONT JOCKEY BOX):</u>	<u>OUT</u>	<u>IN</u>	<u>NOTES</u>
42"x42" silver reflector (check leafing)	4		
42"x42" mirror reflector (check glass)	2		



BUTTERFLY SETS:		<u>OUT</u>	<u>IN</u>	<u>NOTES</u>
6x6 Rags (red bags):				
6x6 Frame (w/2x ears on each frame)	1			
6x6 Black solid	1			
6x6 Poly silk	1			
6x6 Single net	1			
6x6 Double net	1			
6x6 Ultrabounce® (black/white)	1			
8x8 Rags (blue bags):				
8x8 Frame (w/2x ears on each frame)	1			
8x8 Black solid	1			
8x8 Poly silk	1			
8x8 Single net	1			
8x8 Double net	1			
8x8 Ultrabounce® (black/white)	1			
12x12 Rags (grey bags):				
12x12 Frame (hardware on frame)	1			
12x12 Black solid	1			
12x12 Poly silk	1			
12x12 Single net	1			
12x12 Double net	1			
12x12 Ultrabounce® (black/white)	1			
20x20 Rags (yellow bags):				
20x20 Frame (hardware on frame)	1			
20x20 Black solid	1			
20x20 Poly silk	1			
20x20 Ultrabounce® (black/white)	1			

LADDERS:		<u>OUT</u>	<u>IN</u>	<u>NOTES</u>
4 step double-sided ladder	1			
6 step double-sided ladder	1			
8 step double-sided ladder	1			
10 step double-sided ladder	1			
12 step double-sided ladder	1			
32ft extension ladder	1			



<u>FLAGS:</u>	<u>OUT</u>	<u>IN</u>	<u>NOTES</u>
18"x 24" flag	6		
18"x 24" aluminum frame	2		
18"x 24" single nets	2		
18"x 24" double net	2		
18"x 24" poly silk	2		
24"x 36" flag	6		
24"x 36" aluminum frames	4		
24"x 36" single net	2		
24"x 36" double net	2		
24"x 36" poly silk	2		
24"x 36" celo cucoloris	1		
24"x 36" wood cucoloris	1		
Dot and Finger set (blue soft case)	1		
10"x 18" flag	2		
10"x 42" floppy	2		
18"x 48" floppy	2		
24"x 72" floppy	2		
48"x 48" floppy	6		
48"x 48" aluminum frames	6		
48"x 48" single net	2		
48"x 48" double net	2		
48"x 48" poly silk	2		
48"x 48" celo cucoloris	1		
48"x 48" wood cucoloris	1		
48"x 48" bead board/foam core bounce	2		
48"x 48" plywood (painted black)	1		

<u>SANDBAGS:</u>	<u>OUT</u>	<u>IN</u>	<u>NOTES</u>
20lbs. Shot bags (muscle cart)	10		
20 lbs. Sand bags (muscle cart)	20		
35 lbs. Sand bags (driver's side jockey box)	20		



<u>HARDWARE (RIGGING CART):</u>	<u>OUT</u>	<u>IN</u>	<u>NOTES</u>
<u>Crate 1:</u>			
Junior pipe clamp	2		
Baby pipe clamp	4		
Tree branch holder	1		
Duck bill vise clamp w/baby spud (platypus)	4		
<u>Crate 2:</u>			
Scissor clip w/baby spud	4		
6' baby pin w/collar	2		
Baby plate	6		
90-degree baby pin adapter	1		
Big bite baby clamp w/positional baby pin	2		
Cardellini clamp w/baby spud (end jaw)	8		
12" Furniture clamps (w/baby pin sliders)	2		
Putty knife w/baby spud (3" & 1")	2		
<u>Crate 3:</u>			
Foam core mounting plates	2		
Baby offset 14"	2		
Chain vice grips w/baby spuds	4		
4" baby C-clamps	2		
6" baby C-clamps	2		
8" baby C-clamps	2		
1 ¼" pipe wall spreader (3x pieces)	1		
Magic arms	2		
<u>Crate 4:</u>			
Junior plates	4		
Junior to baby spud adaptors (butt plugs)	2		
Junior 4 1/2" grip heads "Lollipop"	4		
Junior offsets	2		

<u>DOLLY:</u>	<u>OUT</u>	<u>IN</u>	<u>NOTES</u>
Doorway dolly w/pull bar, 2x side boards & 4x wheels	1		
Doorway dolly hand cart (red)	1		
4ft level w/case	1		



<u>ADDITIONAL EQUIP:</u>	<u>OUT</u>	<u>IN</u>	<u>NOTES</u>
Circular saw (Milwaukie)	1		
12v cordless drill kit (Milwaukie)	1		
Come-a-long wench	1		
Furniture pads	8		
Sledge hammer (jockey box)	1		
30" bull prick (jockey box)	4		
<u>Truck wall:</u>			
8" C-clamp w/junior receiver	2		
12" C-clamp w/junior receiver	2		
10" C-clamp w/baby spud	2		
12" C-clamp w/baby spud	2		
36" junior riser	1		
12" furniture clamp w/baby pin slider	2		
18" furniture clamp w/baby pin slider	2		
24" furniture clamp w/baby pin slider	2		
Spring clamps #1's	20		
Spring clamps #2's	20		
Spring clamps #3's	10		
Safety Cables (30")	10		
Tie lines (60ft 5/8" multi-line)	4		
First aid kit	1		
Fire extinguisher	1		

<u>PIPE RACK (UNDER TRUCK):</u>	<u>OUT</u>	<u>IN</u>	<u>NOTES</u>
1ft 1 ¼" aluminum pipe	4		
2ft 1 ¼" aluminum pipe	4		
4ft 1 ¼" aluminum pipe	4		
6ft 1 ¼" aluminum pipe	4		
8ft 1 ¼" aluminum pipe	4		
10ft 1 ¼" aluminum pipe	4		
12ft 1 ¼" aluminum pipe	4		
20ft 1 ¼" aluminum pipe	2		
(lumber slot – loaded to order only)			
(lumber slot – loaded to order only)			
(lumber slot – loaded to order only)			



EXPENDABLES PACKAGE

CRATE #1:		CRATE #2:		CRATE #3:		GEL (GRIP):		GEL (ELECTRIC):	
1	2" J-Lar	12	large crutch tips	10	cube taps	1	#216 White Diffusion	1	#204 full CTO
1	2" white gaff tape	12	medium crutch tips	4	3 to 2 ground adapter	1	#250 1/2 White Diffusion	1	#205 1/2 CTO
1	2" grey gaff tape	12	small crutch tips	4	porcelain sockets	1	#251 1/4 White Diffusion	1	#206 1/4 CTO
1	2" black gaff tape	1	baby powder	20	female add-a-taps	1	#3010 Opal Frost	1	#223 1/8 CTO
2	2" black photo tape	1	77 spray mount	20	male add-a-taps	1	#253 Hampshire Frost	1	#201 full CTB
2	2" black paper tape	1	dulling spray	1	roll 250' 18/2 zip cord	1	#3030 Full Grid	1	#202 1/2 CTB
1	3/4" electric tape (black)	1	pledge	20	wire nuts	1	#3032 Light Grid	1	#203 1/4 CTB
1	3/4" electric tape (blue)	1	windex			1	#3034 Quarter Grid	1	#218 1/8 CTB
1	3/4" electric tape (red)	1	streaks-n-tips (brown)		CRATE #4:	1	#209 .3ND	1	#244 full + green
1	3/4" electric tape (white)	1	streaks-n-tips (black)	4	PH-211 bulbs	1	#210 .6ND	1	#245 1/2 + green
1	3/4" electric tape (green)	1	streaks-n-tips (white)	4	PH-212 bulbs	1	#211 .9ND	1	#246 1/4 + green
2	3/4" ATG (snot tape)	1	12x12 mirrors (6 pack)	4	PH-213 bulbs	1	#1991 Heat Shield	1	#278 1/8 + green
1	roll of black wrap 12"	1	alcohol pads (10 pack)	4	250w BCA bulbs	1	#3801 Roscoflex	1	#247 full - green
1	roll of black wrap 24"	1	box 1" dry wall screws	4	25w household			1	#248 1/2 - green
1	roll of #4 mason line	1	bag 3/16" fender washers	4	40w household			1	#249 1/4 - green
1	roll of #6 sash cord	1	stove pipe wire	4	60w household			1	#279 1/8 - green
1	roll of #8 sash cord	1	bag 25' grip chain	4	75w household			1	#441 Full CTS
1	roll of #10 sash cord	1	box 1/2" T50 staples	4	100w household			1	#442 1/2 CTS
1	bag of zip ties	4	black sharpie					1	#443 1/4 CTS
4	c-47's	6	camera wedges					1	#444 1/8 CTS

SHOW CARD (30x36"):		4X8 RACK:		MISCELEANOUS:	
4	Black/White	2	4x8' Foam Core (black/white)	1	Roll of 1000H Tracing Paper
1	Shiny Silver/White	2	4x8' Bead Board	1	Roll of Duvetyn (25 yards)
1	Matte Silver/White	2	4x8' Sintra Dancefloor	1	Roll of Rubber Matting
1	Shiny Gold/White	2	4x8' Birch Plywood (3/4")	1	Roll of Visqueen (20x100')
1	Matte Gold/White				

NOTE: LUMBER LOADED TO ORDER ONLY.

GERONIMO CREEK



323.997.0202

www.geronimocreek.com

Page 7 of 7
Updated: 2/10/25