

Integrated System Series



Type(s)
Project
Date
Notes

GENERAL INFORMATION

Control and configuration apps have become an integral part of modern lighting control systems. Unlike consumer tablets, ETCpad is designed specifically as an accessory for your ETC lighting system. Rather than depending on an internet connection and an individual’s store account, apps are loaded and updated via ETC’s update utility software: UpdaterAtoR.

ETCpad can connect to your lighting system wirelessly, but for mission critical situations, ETCpad offers a built-in RJ45 connector, for direct communication with your network.

Big spaces require big control. Technical staff at your facility can use a fleet of ETCpad tablets to configure and control connected systems. Accessories like the ETCpad multi-tablet charger provides a central housing location for your facility to charge and store your devices.

For drawings, photos, and more, visit the [ETCpad](#) product webpage.

ORDERING INFORMATION

ETCpad

MODEL	DESCRIPTION	PART NUMBER
ETCpad	ETC Portable Access Device	4250A1222

ETCpad Accessories

MODEL	DESCRIPTION	PART NUMBER
M7583	Hand Strap Replacement	M7583
M7584	Shoulder Strap	M7584
M7777	EETi Stylus Pen	M7777
M7586	Battery Pack with Meter	M7586
M7587	Multi-tablet Charger	M7587
M7588	VESA Dock	M7588
M7589	Office Dock	M7589
M7599	ETCpad USB Hub Replacement	M7599
WAP	Wireless Access Point	

Wireless operation of the ETCpad requires a wireless access point sold/provided separately.

SHIPS WITH:

- Hand strap
- RJ45 adapter plate, with hand grip and cable management
- USB-C charger with detachable plug cable (IEC-320-C15 to NEMA 5-15P)
- ETCpad USB hub



SPECIFICATIONS

HARDWARE AND INTERFACES

- Ruggedized exterior with rubber edges for use in demanding environments
- Embedded Android environment, locked down to only launch supported mobile applications (listed below), no store account needed
- 8" full HD display with scratch-resistant glass and multi-touch control
- Rechargeable lithium-ion battery (3.8 V, 4900 mAh, 18.62 Wh), providing up to 12 hours of operation under normal conditions
- One 802.11ac WiFi Ethernet adapter
- Bluetooth 5.0 for connecting with supported products
- Removable wired network adapter plate, with hand-grip, one configurable Gigabit Ethernet port (RJ45 connector), management clip for cable up to 6mm in diameter
- One USB-C 3.1 port, for charging and applying updates
- One Micro SD slot, for applying updates
- One POGO expansion connector, for use with available docks and chargers
- Power switch
- Power/battery status indicator

ELECTRICAL AND THERMAL

- Power consumption approximately 3 A at 5 V or 2 A at 9 V
- Ambient room temperature -10°C to 50°C (14°F to 122°F)

SUPPORTED MOBILE APPLICATIONS AND COMPATIBILITY

- Eos Focus Remote - works with Eos Family entertainment controllers including: Eos Ti, Gio, Gio @5, Ion Xe 20, Ion Xe, Element 2, Eos RPU3, Ion Xe RPU, ETCnomad & Eos for Windows/macOS
- EchoAccess - works with Echo architectural control systems that include an Echo Expansion Bridge
- Paradigm Touchscreen Remote - works with Paradigm architectural control Systems that include 7" touchscreens
- Paradigm Mobile Button Station - works with Paradigm architectural control systems
- MyETC: Photometrics - app containing useful data on ETC luminaires
- Sensor3 TPSR - works with Sensor3 power control systems

REGULATORY AND COMPLIANCE

- CE compliant
- CULus listed
- FCC compliant
- RoHS compliant
- WEEE
- IP-65 rated enclosure

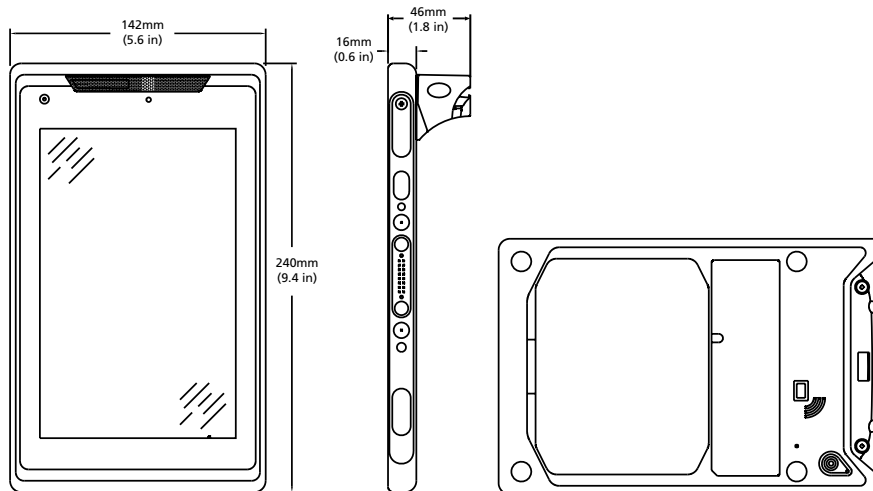
For more information about ETC's mobile apps, visit the product webpage at etconnect.com/apps.

PHYSICAL

ETCpad Dimensions and Weights*

MODEL	HEIGHT		WIDTH		DEPTH		WEIGHT		SHIPPING WEIGHT	
	mm	in	mm	in	mm	in	kg	lb	kg	lb
ETCpad	240	9.4	142	5.6	16	0.6	0.60	1.3	1.13	2.5

* Dimensions and weights typical



Corporate Headquarters • Middleton, WI USA
Global Offices • London, UK • Rome, IT • Holzkirchen, DE • Paris, FR • Hong Kong
 Dubai, UAE • Singapore • New York, NY • Orlando, FL • Los Angeles, CA • Austin, TX
 ©2025 ETC. All Rights Reserved. All product information and specifications subject to change. Rev G 2025-05
 *Trademark and patent info: etconnect.com/IP • Third-party license agreement info: etconnect.com/licenses